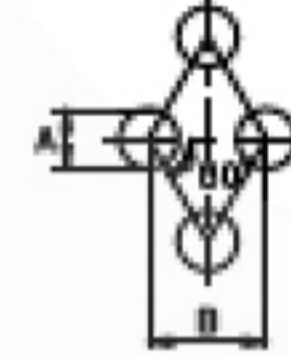
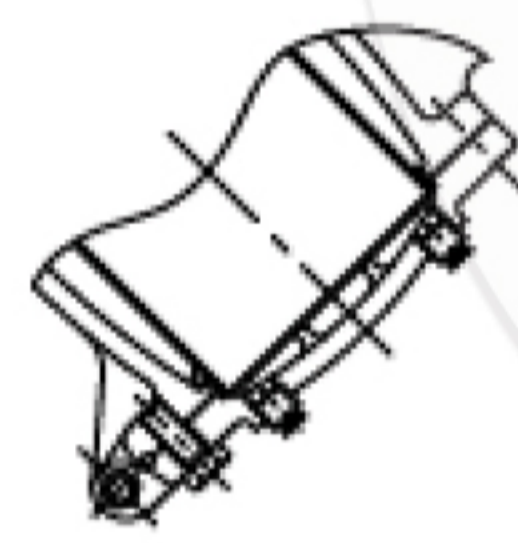
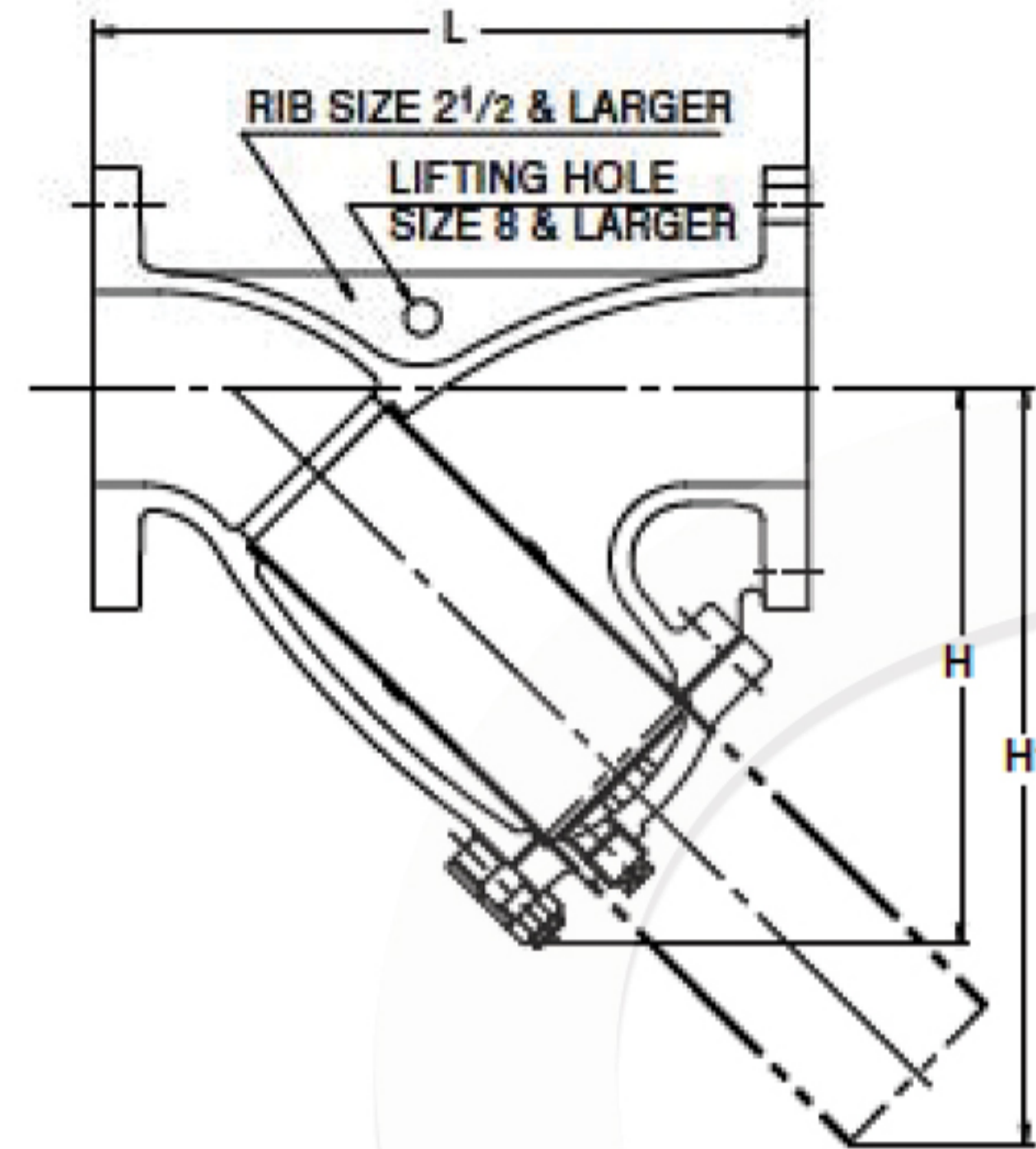


# CLASS 125 IRON Y-PATTERN STRAINER

Bolted cover, Y-pattern body, Punched stainless steel plate screen.

**Fig. 125FCY**

- Bronze trim



SIZE 8 & LARGER HOLE SIZE OF SCREEN

**Materials**

Parts	Material	ASTM Spec.
Body	Cast Iron	A126 CL.B
Cover	Cast Iron	A126 CL.B
Screen	Stainless Steel	A167 Type304
Gasket	Asbestos-free	
Cover bolt/nut	Carbon Steel	A307 Gr.B
Plug	1 1/2 to 6 Stainless Steel	A276 Type304

**Screen dimensions**

Valve Size	A	P
2 only	1.4ø	2.4mm
2 1/2 to 5	1.5ø	2.5mm
6 & 8	3.0ø	5.0mm
10 & 12	5.0ø	7.0mm

**Design Specifications**

Items	
Shell wall thickness and general valve design	KITZ Standard
Face-to-face dimensions End-to-end dimensions	KITZ Standard
End flange dimensions Gasket contact facing	ASME B16.1 Class125

For ASME Valves Pressure-Temperature Ratings, refer to page 2.

**Dimensions**

Valve Size	NPS	2	2 1/2	3	4	5	6	8	10	12	14	mm
	DN	50	65	80	100	125	150	200	250	300	350	
<b>L</b> Face-to-face		250	285	315	370	420	490	570	680	800	950	
<b>H</b> Height		168	212	242	284	325	370	440	515	600	740	
<b>H1</b>		208	289	335	388	446	497	589	694	818	993	